

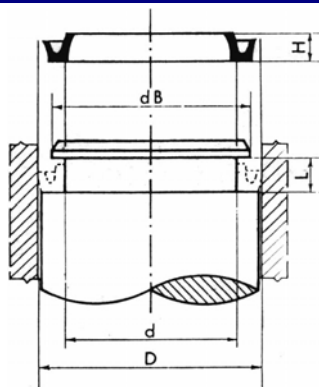
GUARNIZIONI A LABBRO TIPO DE-DEM

Pavone sas

Pressione: 120 BAR

Applicazione: Tenuta pistone-cilindro
oppure stelo-guida

Esterno: Gomma



Cod.	D	d	H	L	ds
DE037	9.50	3.17	3.96	6.50	5.50
DE043	11.10	4.76	3.96	5.50	7.00
DEM12-6	12.00	6.00	4.00	7.50	9.00
DE050	13.00	8.70	4.76	6.30	6.90
DE056	14.00	7.70	4.76	6.30	10.00
DE062	16.00	8.10	5.55	7.00	11.50
DEM16-10	16.00	10.00	4.00	5.50	13.00
DE068	17.50	12.20	3.17	5.00	14.00
DE075	19.00	12.70	3.17	5.00	15.00
DEM20-12	20.00	12.00	5.50	7.00	16.00
DE081	21.00	14.70	6.35	8.00	17.00
DE087	22.00	12.50	6.35	8.00	16.50
DE093	24.00	14.50	6.35	8.00	18.50
DEM25	25.00		5.00	6.00	21.00
DE100	26.00	16.50	6.35	8.00	21.00
DE106	27.00	17.50	6.35	8.00	22.00
DE112	29.00	19.50	6.35	8.00	24.00
DE118	30.00	20.50	6.35	8.00	25.00
DE125	32.00	19.30	6.35	8.00	25.50
DEM32	32.00	24.00	5.50	6.00	28.00
DE131	34.00	15.00	9.52	11.00	24.00
DE137	35.00	22.30	6.35	8.00	28.00
DE143	37.00	26.00	6.35	8.00	31.00
DE150	38.00	30.00	6.35	8.00	34.00
DE037	9.50	3.17	3.96	6.50	5.50
DE043	11.10	4.76	3.96	5.50	7.00
DEM12-6	12.00	6.00	4.00	7.50	9.00
DE050	13.00	8.70	4.76	6.30	6.90
DE056	14.00	7.70	4.76	6.30	10.00
DE062	16.00	8.10	5.55	7.00	11.50
DEM16-10	16.00	10.00	4.00	5.50	13.00
DE068	17.50	12.20	3.17	5.00	14.00
DE075	19.00	12.70	3.17	5.00	15.00
DEM20-12	20.00	12.00	5.50	7.00	16.00
DE081	21.00	14.70	6.35	8.00	17.00
DE087	22.00	12.50	6.35	8.00	16.50
DE093	24.00	14.50	6.35	8.00	18.50
DEM25	25.00		5.00	6.00	21.00
DE100	26.00	16.50	6.35	8.00	21.00
DE106	27.00	17.50	6.35	8.00	22.00
DE112	29.00	19.50	6.35	8.00	24.00
DE118	30.00	20.50	6.35	8.00	25.00
DE125	32.00	19.30	6.35	8.00	25.50
DEM32	32.00	24.00	5.50	6.00	28.00
DE131	34.00	15.00	9.52	11.00	24.00
DE137	35.00	22.30	6.35	8.00	28.00
DE143	37.00	26.00	6.35	8.00	31.00
DE150	38.00	30.00	6.35	8.00	34.00
DE156	40.00	27.30	6.35	8.00	33.00
DEM40	40.00	30.00	7.00	7.50	35.00
DE162	42.00	30.90	6.35	8.00	36.00
DE168	43.00	30.30	9.52	11.00	36.00
DE175	45.00	35.50	7.00	8.50	40.00
DE181	46.00	28.20	10.20	12.00	36.50
DE187	48.00	32.10	7.93	9.50	39.50
DE193	49.00	35.00	9.52	11.00	41.50
DEM50	50.00	40.00	7.00	7.50	45.00
DE200	51.00	41.50	7.14	9.00	46.00

Cod.	D	d	H	L	ds
DE212	54.00	41.30	9.52	11.00	47.00
DEM55-45	55.00	45.00	7.00	8.50	50.00
DE225	57.00	44.30	6.35	8.00	50.00
DEM60-50	60.00	50.00	7.00	8.50	55.00
DE237	61.00	48.30	6.35	8.00	54.00
DEM63	63.00	53.00	7.00	7.50	58.00
DE250	64.00	46.30	8.85	10.50	54.50
DEM65-55	65.00	55.00	7.00	8.50	60.00
DE262	67.00	51.10	8.85	10.50	58.50
DE275	70.00	54.10	7.93	9.50	61.50
DEM70-58	70.00	58.00	8.50	10.00	64.00
DE287	73.00	63.50	5.55	7.00	68.00
DEM75-63	75.00	63.00	8.50	10.00	69.00
DE300	76.00	57.90	8.73	10.50	66.50
DE312	80.00	67.30	6.35	8.00	73.00
DEM80	80.00	68.00	8.50	9.50	74.00
DE325	83.00	71.90	7.50	8.50	77.00
DEM85-73	85.00	73.00	8.50	10.00	79.00
DE337	86.00	73.90	9.52	11.00	79.00
DE350	89.00	76.30	6.35	8.00	82.00
DEM90-78	90.00	78.00	8.50	10.00	84.00
DE362	92.00	76.10	9.52	11.00	83.50
DE375	95.00	76.70	7.40	9.00	85.50
DE387	99.00	86.30	9.52	11.00	92.00
DEM100	100.00	88.00	8.50	9.50	94.00
DE400	102.00	89.30	9.52	11.00	95.00
DE105-93	105.00	93.00	8.50	10.00	99.00
DE412	106.00	89.10	7.93	9.50	96.50
DE425	108.00	93.50	7.93	9.50	101.00
DEM110-98	110.00	98.00	8.50	10.00	104.00
DE437	111.00	94.70	7.93	9.50	102.00
DE450350	115.00	89.60	15.90	19.00	102.00
DE462	118.00	105.30	9.52	11.00	111.00
DEM120-105	120.00	105.00	10.00	11.50	112.50
DE475	121.00	108.30	9.52	11.00	114.00
DE487	124.00	111.30	9.52	11.00	117.00
DEM125	125.00	110.00	10.00	11.00	117.50
DE500	127.00	108.00	9.52	11.00	117.50
DE512	130.00	117.30	9.52	11.00	123.00
DE525	134.00	121.30	9.52	11.00	127.00
DE537	137.00	124.30	9.52	11.00	130.00
DEM140-125	140.00	125.00	10.00	11.50	132.50
DE550	140.00	127.30	9.52	11.00	133.00
DE562	143.00	130.30	9.52	11.00	136.00
DEM145-130	145.00	130.00	10.00	11.50	137.50
DE575475	146.00	120.60	15.90	19.00	133.00
DE587	149.00	136.30	9.52	11.00	142.00
DEM150-135	150.00	135.00	10.00	11.50	142.50
DE600500	153.00	127.60	15.90	19.00	140.00
DE625525	159.00	133.60	15.90	19.00	146.00
DEM160	160.00	145.00	10.00	11.00	152.00
DE650550	165.00	139.60	15.90	19.00	152.00
DE675	172.00	153.00	11.10	12.50	162.00

PAVONE

s. a. s. 66050 San Salvo (CH) Zona industriale All. "B" Tel 0873/342319-342592 Fax 0873/342792

www.pavonearticolitecnici.it

e-mail: remo@pavonesas.191.it

GUARNIZIONI A LABBRO TIPO DE-DEM
Pavone sas

Cod.	D	d	H	L	ds
DE700600	178.00	152.60	15.90	19.00	165.00
DEM180-160	180.00	160.00	14.00	17.00	170.00
DE725	184.00	165.00	11.11	12.50	174.00
DE750625	191.00	159.30	19.00	22.00	175.00
DE775650	197.00	165.30	19.00	22.00	181.00
DEM200	200.00	180.00	14.00	15.00	190.00
DE800675	204.00	172.30	19.00	22.00	188.00
DE825700	210.00	178.30	19.00	22.00	194.00
DE850725	216.00	184.30	19.00	22.00	200.00
DEM220-200	220.00	200.00	14.00	17.00	210.00
DE875	223.00	201.30	12.70	14.50	212.00
DE900	229.00	210.00	12.70	14.50	219.00
DE925800	235.00	203.30	19.00	22.00	219.00
DE950825	242.00	210.30	19.00	22.00	226.00
DE975850	248.00	216.30	19.00	22.00	232.00
DEM250-230	250.00	230.00	14.00	17.00	240.00
DE1000	254.00	235.00	12.70	14.50	244.00
DE1025900	261.00	229.30	19.00	22.00	245.00
DE1050	267.00	248.00	12.70	14.50	257.00
DE1075950	274.00	242.30	19.00	22.00	258.00
DE1100975	280.00	248.30	19.00	22.00	264.00
DE11251000	286.00	254.30	19.00	22.00	270.00
DE11501025	292.00	260.30	19.00	22.00	276.00
DE11751060	299.00	267.30	19.00	22.00	283.00
DE1200	305.00	279.60	12.70	14.00	292.00
DE1300	330.00	311.00	12.70	14.50	320.00
DE1350	343.00	323.00	12.70	14.50	333.00
DE1400	356.00	335.50	12.70	14.50	345.50

PAVONE

s. a. s. 66050 San Salvo (CH) Zona industriale All. "B" Tel 0873/342319-342592 Fax 0873/342792
www.pavonearticolitecnici.it

e-mail: remo@pavonesas.191.it